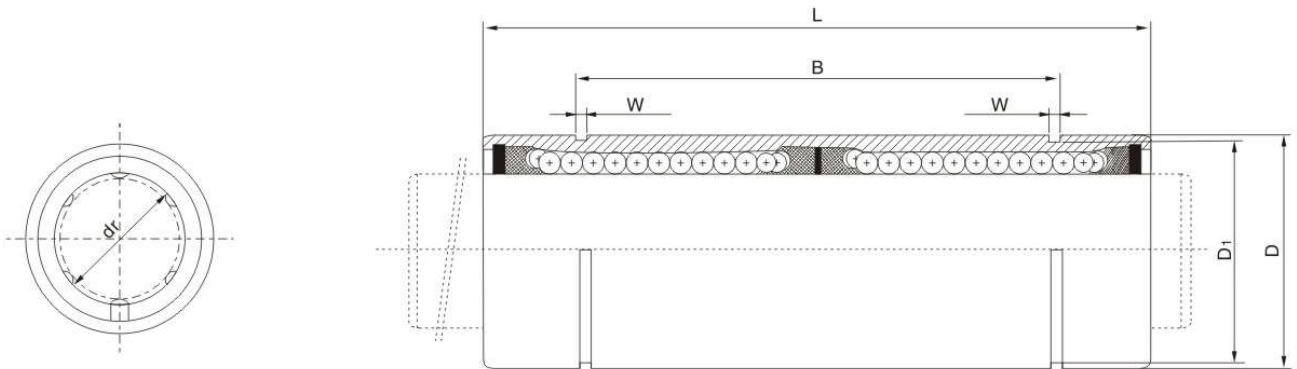


Linear bearing series  
**LM...LUU**



Model No.			Main Dimension								Basic Load Rating				
Standard Type	Ball Circuit	Weight (g)	Inner Diameter		Outer Diameter		Length		B	W	D <sub>1</sub>	Eccentricity (Max) μm	Radial Clearance Tolerance μm	CN	CoN
			dr	Tolerance	D	Tolerance	L	Tolerance							
LM3LUU	4	3	3		7		19		-	-	-	10	-2	139	216
LM4LUU	4	4	4		8		23		-	-	-	10	-3	139	254
LM5LUU	4	8	5		10	0	29	0	20	1.1	9.6	10	-3	263	412
LM6LUU	4	16	6		12	-0.013	35	0	27	1.1	11.5	15	-5	324	529
LM8LUU	4	31	8	0	15	-0.010	45	0	35	1.1	14.3	15	-5	431	784
LM10LUU	4	62	10		19		55	-0.3	44	1.3	18	15	-5	588	1100
LM12LUU	4	80	12		21	0	57	0	46	1.3	20	15	-5	657	1200
LM13LUU	4	90	13		23	-0.016	61	-0.3	46	1.3	22	15	-7	814	1570
LM16LUU	5	145	16		28		70		53	1.6	27	15	-7	1230	2350
LM20LUU	5	180	20		32		80		61	1.6	30.5	20	-9	1400	2750
LM25LUU	6	440	25	0	40	-0.012	112	0	82	1.85	38	20	-9	1560	3140
LM30LUU	6	580	30		45	-0.019	123		89	1.85	43	20	-9	2490	5490
LM35LUU	6	795	35		52		135		99	2.1	49	25	-13	2650	6270
LM40LUU	6	1170	40	0	60	-0.015	154	0	121	2.1	57	25	-13	3430	8040
LM50LUU	6	3100	50		80	-0.022	192	-0.4	148	2.6	76.5	25	-13	6080	15900
LM60LUU	6	3500	60	0	90	-0.020	211		170	3.15	86.5	25	-16	7650	20000

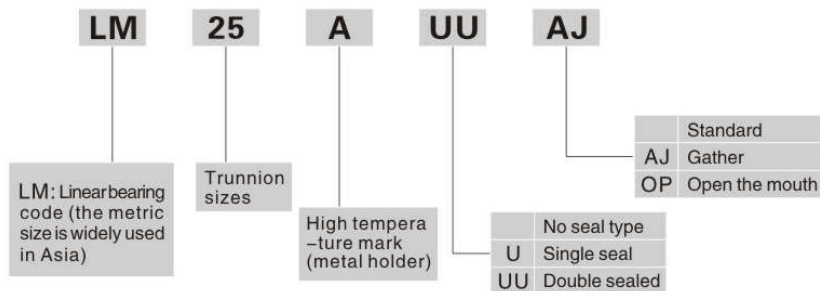


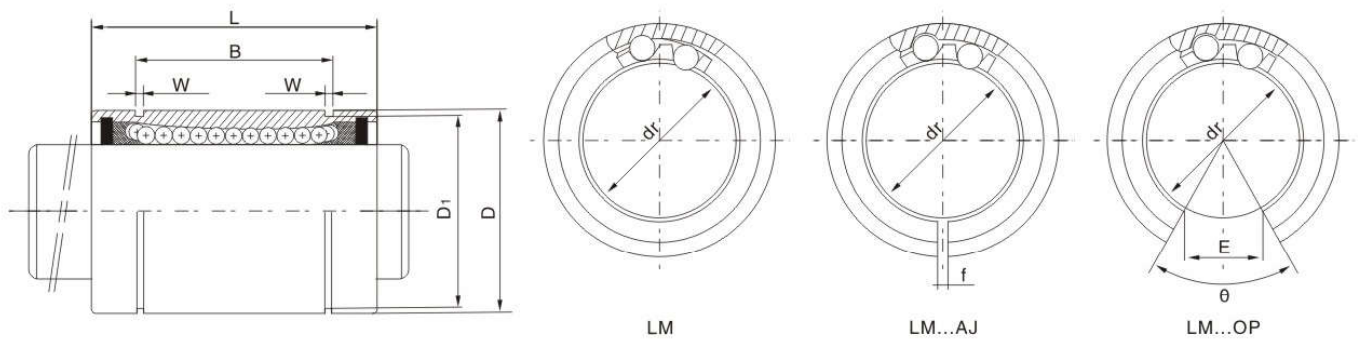
Linear bearing series

LM...UU



Designation					dimensions and tolerance		
LM...UU ( Standard )	Ball circuit	Weight(g)	LM...AJ Clearance adjustment	LM...OP (Open the mouth)	dr ( mm )	Tolerance(mm)	
						Precision J Precision level	Precision P Regular grade
LM 4UU	4	1.9	-	-	4	0	0
LM 5UU	4	4	-	-	5	-0.005	-0.008
LM 6UU	4	8	LM6-AJ	-	6	0	0
LM 8SUU	4	11	LM8-AJ	-	8		
LM 8UU	4	16	LM8-AJ	-	8		
LM 10UU	4	30	LM10-AJ	LM10-OP	10		
LM 12UU	5	31.5	LM12-AJ	LM12-OP	12		
LM 13UU	5	43	LM13-AJ	LM13-OP	13	-0.006	-0.009
LM 16UU	5	69	LM16-AJ	LM16-OP	16		
LM 20UU	6	87	LM20-AJ	LM20-OP	20		
LM 25UU	6	220	LM25-AJ	LM25-OP	25		
LM 30UU	6	250	LM30-AJ	LM30-OP	30		
LM 35UU	6	390	LM35-AJ	LM35-OP	35	0	0
LM 40UU	6	585	LM40-AJ	LM40-OP	40		
LM 50UU	6	1580	LM50-AJ	LM50-OP	50		
LM 60UU	6	2000	LM60-AJ	LM60-OP	60		
LM 80UU	6	4420	LM80-AJ	LM80-OP	80		
LM 100UU	6	8600	LM100-AJ	LM100-OP	100	-0.010	-0.020





Major dimensions and tolerance											Ratings load		Model No.	
D (mm)	Tolerance (mm)	L (mm)	Tolerance (mm)	B (mm)	Tolerance (mm)	W (mm)	D <sub>1</sub> (mm)	f (mm)	E (mm)	θ	Dynamic CN	Statoc CoN		
8	0	12	0	-	-	-	-	-	-	-	88	127	LM 4UU	
10	-0.009	15	-0.12	10.2	0 -0.2	1.1	9.6	-	-	-	167	206	LM 5UU	
12	0 -0.011	19	0 -0.2	13.5		1.1	11.5	1	-	-	206	265	LM 6UU	
15		17		11.5		1.1	14.3	1	-	-	176	216	LM 8SUU	
15	24	17.5		1.1		14.3	1	-	-	274	392	LM 8UU		
19	0 -0.013	29		22		1.3	18	1	6.8	80°	372	549	LM 10UU	
21		30		23		1.3	20	1.5	8	80°	510	784	LM 12UU	
23		32		23		1.3	22	1.5	9	80°	510	784	LM 13UU	
28		37		26.5		1.6	27	1.5	11	80°	774	1180	LM 16UU	
32	0 -0.016	42		30.5		1.6	30.5	1.5	11	60°	882	1370	LM 20UU	
40		59		41		0 -0.3	1.85	38	2	12	50°	980	1570	LM 25UU
45		64		44.5	1.85		43	2.5	15	50°	1570	2740	LM 30UU	
52		0 -0.019	70	49.5	2.1		49	2.5	17	50°	1670	3140	LM 35UU	
60	80		60.5	2.1	57		3	20	50°	2160	4020	LM 40UU		
80	0 -0.022	100	74	2.6	76.5		3	25	50°	3820	7940	LM 50UU		
90		110	85	3.15	86.5		3	30	50°	4700	10000	LM 60UU		
120		140	105.5	4.15	116		3	40	50°	7350	16000	LM 80UU		
150	0 -0.025	175	-0.4	125.5	0 -0.4		4.15	145	3	50	50°	14120	34800	LM 100UU



Flange linear bearing series

LMF..UU



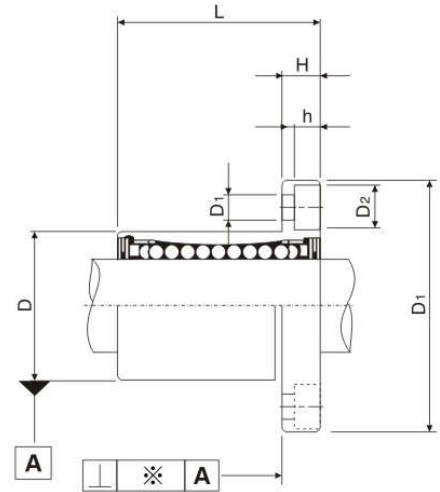
LMF



LMK

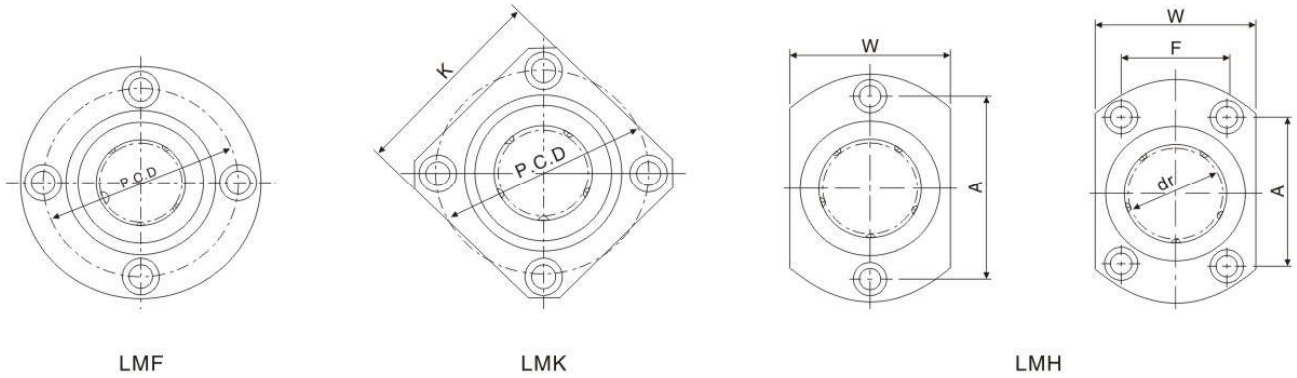


LMH



Model No.			Ball Circuit	Weight (g)	Permissible Diameter Tolerance (μm)	Basic Load Rating		Inner Diameter	
Round Flange Type	Square Flange Type	Oval Flange Type				Dynamic CN	Static CoN	dr (mm)	Tolerance (μm)
LMF6UU	LMK6UU	LMH 6UU	4	26.5	-5	200	260	6	0 -9
LMF8SUU	LMK8SUU	-	4	34	-5	170	220	8	
LMF8UU	LMK8UU	LMH 8UU	4	40	-5	260	400	8	
LMF10UU	LMK10UU	LMH10UU	4	78	-5	370	540	10	
LMF12UU	LMK12UU	LMH12UU	4	76	-5	410	590	12	
LMF13UU	LMK13UU	LMH13UU	4	94	-7	500	770	13	
LMF16UU	LMK16UU	LMH16UU	5	134	-7	770	1170	16	
LMF20UU	LMK20UU	LMH20UU	5	180	-9	860	1370	20	0 -10
LMF25UU	LMK25UU	LMH25UU	6	340	-9	980	1560	25	
LMF30UU	LMK30UU	LMH30UU	6	460	-9	1560	2740	30	0 -12
LMF35UU	LMK35UU	-	6	795	-13	1660	3130	35	
LMF40UU	LMK40UU	-	6	1054	-13	2150	4010	40	
LMF50UU	LMK50UU	-	6	2200	-13	3820	7930	50	0 -15
LMF60UU	LMK60UU	-	6	2960	-16	4700	9990	60	
LMF80UU	LMK80UU	-	6	5800	-20	7350	16000	80	0 -20
LMF100UU	LMK100UU	-	6	10600	-30	14100	34800	100	

Note: unless otherwise LMF...LUU LMK...LUU LMH...LUU (The stretched)



Dimension (mm)														Model No.
D Outer Diameter		L Length		D1		H	PCD	K	W	A	F	Square- ness Tolerances ( $\mu\text{m}$ )	d <sub>1</sub> x d <sub>2</sub> x h	
(mm)	Tolerance ( $\mu\text{m}$ )	(mm)	Tolerance ( $\mu\text{m}$ )	(mm)	Tolerance ( $\mu\text{m}$ )									
12	0 -11	19	0 -0.2	28	0 -0.2	5	20	22	18	20	-	12	3.4X6.5X3.3	LMF/K/H6UU
15		17		32		5	24	25	-	-	-	12	3.4X6.5X3.3	LMF/K/8SUU
15		24		32		5	24	25	21	24	-	12	3.4X6.5X3.3	LMF/K/H8UU
19	0 -13	29	0 -0.2	40	0 -0.2	6	29	30	25	29	-	12	4.5X8X4.4	LMF/K/H10UU
21		30		42		6	32	32	27	32	-	12	4.5X8X4.4	LMF/K/H12UU
23		32		43		6	33	34	29	33	-	12	4.5X8X4.4	LMF/K/H13UU
28	0 -16	37	0 -0.3	48	0 -0.3	6	38	37	34	31	22	12	4.5X8X4.4	LMF/K/H16UU
32		42		54		8	43	42	38	36	24	15	5.5X9.5X5.4	LMF/K/H20UU
40		59		62		8	51	50	46	40	32	15	5.5X9.5X5.4	LMF/K/H25UU
45	0 -19	64	0 -0.3	74	0 -0.3	10	60	58	51	49	35	15	6.6X11X6.5	LMF/K/H30UU
52		70		82		10	67	64	-	-	-	20	6.6X11X6.5	LMF/K/H35UU
60		80		96		13	78	75	-	-	-	20	9X14X8.6	LMF/K/H40UU
80	0 -22	100	0 -0.3	116	0 -0.3	13	98	92	-	-	-	20	9X14X8.6	LMF/K/H50UU
90		110		134		18	112	106	-	-	-	25	11X17.5X10.8	LMF/K/H60UU
120		140		164		18	142	136	-	-	-	30	11X17X11.1	LMF/K/H80UU
150	0 -25	175	0 -300	200	0 -0.5	20	175	170	-	-	-	40	14X20X13.1	LMF/K/H100UU



Flange linear bearing series  
We can supply steel cages linear bearing



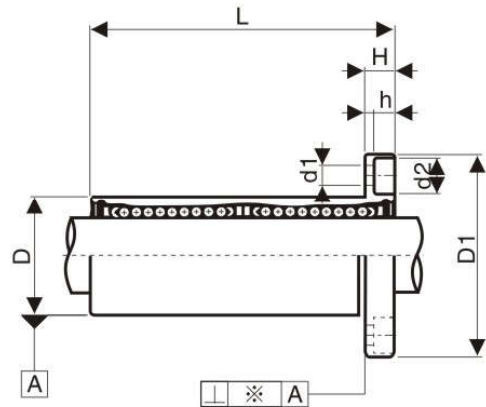
LMK LMEK



LMH

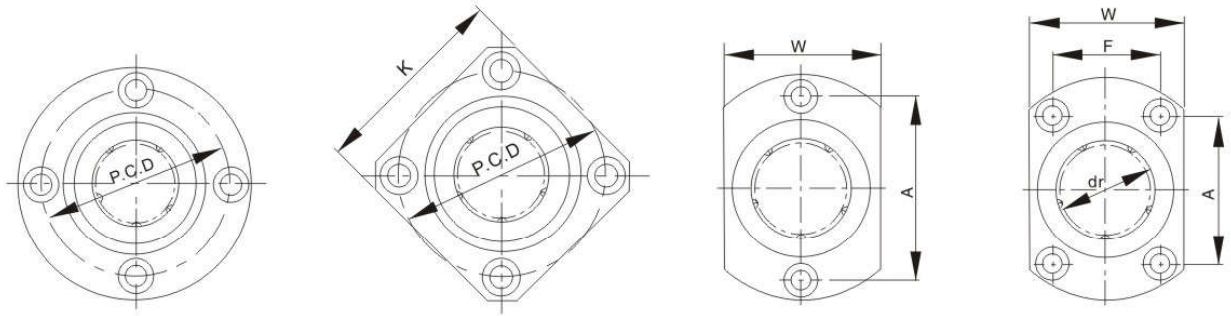


LMF LMEF



Model No.			Ball Circuit	Weight (g)	Permissible Diameter Tolerance (μm)	Basic Load Rating		Inner Diameter	
Round Flange Lengthen Type	Square Flange Lengthen Type	Oval Flange Lengthen Type				Dynamic CN	Static CoN	dr (mm)	Tolerance (μm)
LMF6LUU	LMK6LUU	LMH6LUU	4	31	-5	320	520	6	0 -10
LMF8LUU	LMK8LUU	LMH8LUU	4	53	-5	430	780	8	
LMF10LUU	LMK10LUU	LMH10LUU	4	105	-5	580	1100	10	
LMF12LUU	LMK12LUU	LMH12LUU	4	100	-5	650	1200	12	
LMF13LUU	LMK13LUU	LMH13LUU	4	130	-7	810	1570	13	
LMF16LUU	LMK16LUU	LMH16LUU	5	187	-7	1230	2350	16	0 -12
LMF20LUU	LMK20LUU	LMH20LUU	5	260	-9	1400	2750	20	
LMF25LUU	LMK25LUU	LMH25LUU	6	515	-9	1560	3140	25	
LMF30LUU	LMK30LUU	LMH30LUU	6	655	-9	2490	5490	30	
LMF35LUU	LMK35LUU	-	6	970	-13	2650	6470	35	
LMF40LUU	LMK40LUU	-	6	1560	-13	3430	8040	40	0 -15
LMF50LUU	LMK50LUU	-	6	3500	-13	6080	15900	50	0 -20
LMF60LUU	LMK60LUU	-	6	4500	-16	7650	20000	60	
LMEF8LUU	LMEK8LUU	-	4	53	-5	430	780	8	
LMEF12LUU	LMEK12LUU	-	4	100	-5	650	1200	12	+11 -1
LMEF16LUU	LMEK16LUU	-	5	187	-7	1230	2350	16	
LMEF20LUU	LMEK20LUU	-	5	260	-9	1400	2750	20	+13 -2
LMEF25LUU	LMEK25LUU	-	6	515	-9	1560	3140	25	
LMEF30LUU	LMEK30LUU	-	6	655	-9	2490	5490	30	+16 -4
LMEF40LUU	LMEK40LUU	-	6	1560	-13	3430	8040	40	
LMEF50LUU	LMEK50LUU	-	6	3500	-13	6080	15900	50	
LMEF60LUU	LMEK60LUU	-	6	4500	-16	7650	20000	60	

1N ≈ 0.102kgf



LMF LMEF

LMK LMEK

LMH

尺寸 Dimension (mm)													Model No.		
Outer Diameter		Length		D <sub>1</sub>		H	PCD	K	W	A	F	Square-ness Tolerances (μm)		d <sub>1</sub> x d <sub>2</sub> x h	
(mm)	Tolerance (μm)	(mm)	Tolerance (μm)	(mm)	Tolerance (μm)										
12	0	35	0 -0.3	28	0 -0.2	5	20	22	18	20	-	15	3.4X6.5X3.3	LMF/K/H6LUU	
15	-13	45		32		5	24	25	21	24	-	15	3.4X6.5X3.3	LMF/K/H8LUU	
19	0	55		40		6	29	30	25	29	-	15	4.5X8X4.4	LMF/K/H10LUU	
21		-16		57		42	6	32	32	27	32	-	15	4.5X8X4.4	LMF/K/H12LUU
23		61		43		6	33	34	29	33	-	15	4.5X8X4.4	LMF/K/H13LUU	
28	0	70		48		6	38	37	34	31	22	15	4.5X8X4.4	LMF/K/H16LUU	
32		-19		80		54	8	43	42	38	36	24	20	5.5X9.5X5.4	LMF/K/H20LUU
40		112	62	8	51	50	46	40	32	20	5.5X9.5X5.4	LMF/K/H25LUU			
45	0	123	74	10	60	58	51	49	35	20	6.6X11X6.5	LMF/K/H30LUU			
52		-22	135	82	10	67	64	-	-	-	25	6.6X11X6.5	LMF/K/H35LUU		
60		154	96	13	78	75	-	-	-	25	9X14X8.6	LMF/K/H40LUU			
80	0	192	116	13	98	92	-	-	-	25	9X14X8.6	LMF/K/H50LUU			
90		-25	211	134	18	112	106	-	-	-	25	11X17.5X10.8	LMF/K/H60LUU		
16	0	45	0 -0.3	32	0 -0.2	5	24	25	-	-	-	15	3.4X6.5X3.3	LMEF/K8LUU	
22	0	57		42		6	32	32	-	-	-	15	4.5X8X4.4	LMEF/K12LUU	
26	-11	70		46		6	36	35	-	-	-	15	4.5X8X4.4	LMEF/K16LUU	
32	0	80		54		8	43	42	-	-	-	17	5.5X9.5X5.4	LMEF/K20LUU	
40	-13	112		62		8	51	50	-	-	-	17	5.5X9.5X5.4	LMEF/K25LUU	
47	0	123		76		10	62	60	-	-	-	17	6.6X11X6.5	LMEF/K30LUU	
62		-15		154		98	13	80	75	-	-	-	20	9X14X8.6	LMEF/K40LUU
75	0	192	112	13	94	88	-	-	-	20	9X14X8.6	LMEF/K50LUU			
90		-20	211	134	18	112	106	-	-	-	25	11X17.5X10.8	LMEF/K60LUU		